

# 16GFC SFP+ 850nm Transceivers

## *RTXM228-561*

---

### Features

- *Compliant to SFP+ MSA*
- *Fully RoHS Compliant*
- *All metal housing for superior EMI performance*
- *IPF compliant mechanics SFF-8432*
- *Operating data rate 14.025Gb/s*
- *850nm VCSEL Laser*
- *High sensitivity P.1(C)-4.2(S)3.4(E)-1.7(L)-4.3( )15.0(L)5.0(4.4(E)-1.73.0( )5.0(s)6.0*

## Application

• Tri-Rate 4.25/8.5/14.025Gb/s Fiber Channel

## Standards

• FC-PI-5 Rev 6.00  
 • SFF-8432

• SFF-8431 Rev 4  
 • SFF-8472 Rev 11

## Descriptions

The RTXM228-561 850nm VCSEL 16GFC Transceiver is designed to transmit and receive serial optical data links up to 14.025Gb/s over multimode fiber. The Transceiver is compliant with FC-PI-5, SFF-8432, SFF-8472, and applicable portions of SFF-8431. The transmitter converts serial CML electrical data into serial optical data. An open collector compatible Transmit Disable (Tx\_Dis) is provided. When TX\_DIS is asserted High, Transmitter is turned off. The receiver converts serial optical data into serial CML electrical data. An open collector compatible Loss of Power is provided. The RX\_LOS signal indicates insufficient optical power for reliable signal reception at the receiver. Digital diagnostics functions are available via a 2-wire serial interface, as specified in SFF-8472.

## Block diagram

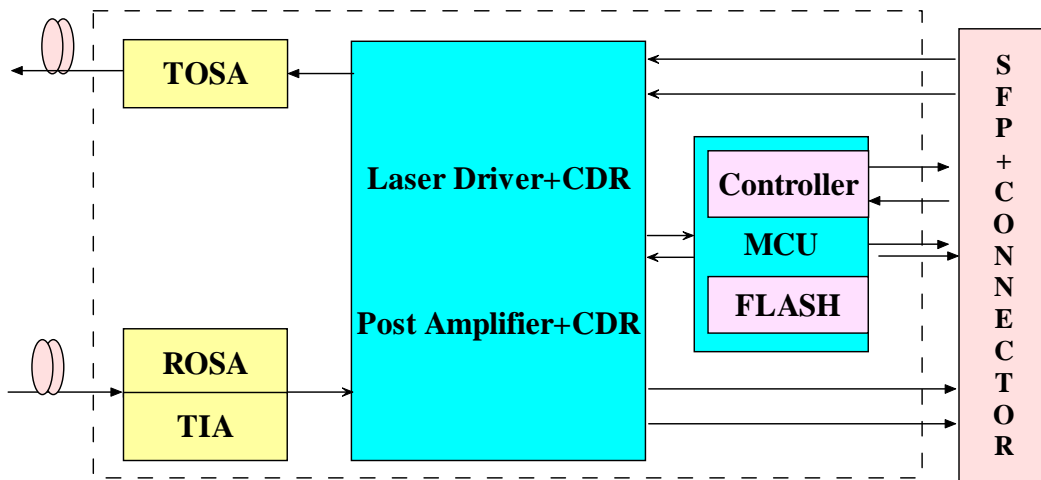


Figure 1 Transceiver functional diagram

## Absolute Maximum Ratings

Parameter	Symbol	Unit	Min	Max
-----------	--------	------	-----	-----