

Specifications

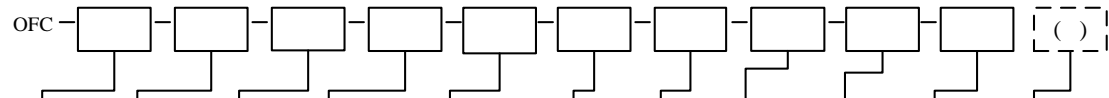
Optical Specifications

Connector	Insertion Loss (dB)	Return Loss (dB)	Reflection Coefficient (dB)	Uniformity
MPO(MM)	0.10	0.30	> 25	dB
MPO(SM)	0.15	0.35	> 50	dB

Mechanical Properties

Cable Length (m)	12	24	48	72	96	144
Maximum Length (N)	500	500	700	700	700	700
Cable Bend Radius (mm)	10 x Outer Diameter					
Cable Bend Radius (mm)	20 x Outer Diameter					
Operating Temperature	-40°C ~ 80°C					

Order Information



MT Series	MT Fiber Cores	MT Endface	MT Type	Fiber Type	Connector Type	Endface	Fan-out Length	Fiber/Cable	Length	Polarity
MPO MTP	4:4Cores 8:8Cores 12:12Cores 24:24Cores	PC APC	M:Male F:Female	S:G652 A2:G657A2 M:50/125 D:62.5/125 OM3 OM4	MT Jumper: M:Male F:Female 0:Pigtail	PC APC	0:No Fan-out	30:3.0mmCable Series 45:4.5mmCable Series	2:2m	A:Straight Through B:Complete Cross C:Absolute Cross